

HANDLE SHANKS

AISI CF-8 stainless steel, sandblasted matte finish.
Threaded blind holes.

STANDARD EXECUTION

AISI 304 stainless steel tube, thickness 2 mm, sandblasted matte finish.

APPLICATIONS

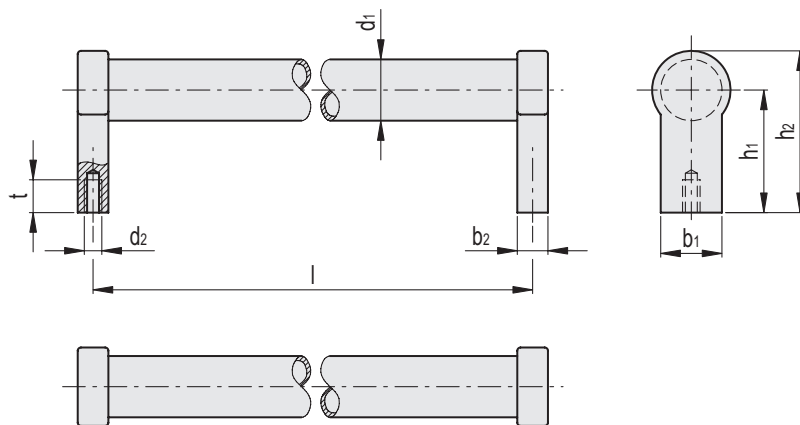
These handles are typically used on turning or rolling doors for machines and equipment.

SPECIAL EXECUTIONS ON REQUEST

Different lengths.



- 1
- 2
- 3
- 4
- 5
- 6
- 7
- 8
- 9
- 10
- 11
- 12
- 13
- 14
- 15
- 16
- 17
- 18



Conversion Table
1 mm = 0.039 inch

mm	inch
200	7.87
300	11.81
500	19.69

Code	Description	d1	l±0.5	b1	b2	d2	h1	h2	tmin	⚖
GN.33372	GN 333.7-28-200	28	200	25	14	M8	50	66	15	514
GN.33373	GN 333.7-28-300	28	300	25	14	M8	50	66	15	643
GN.33375	GN 333.7-28-500	28	500	25	14	M8	50	66	15	901